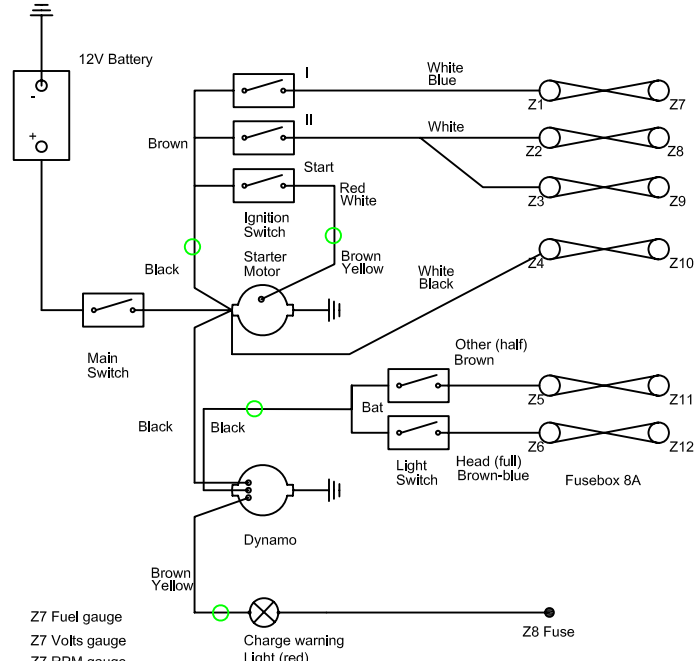
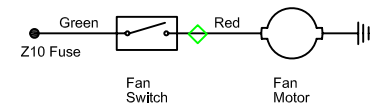
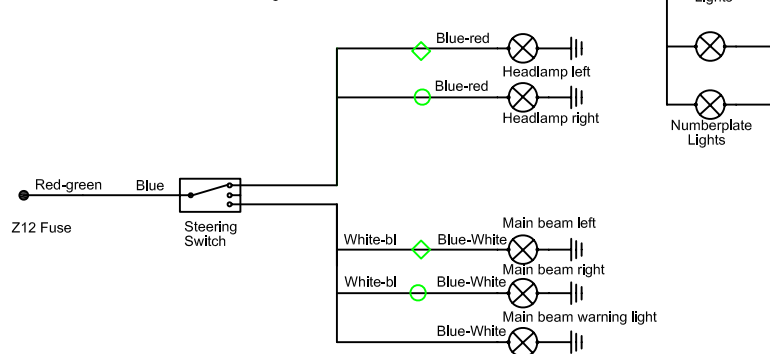
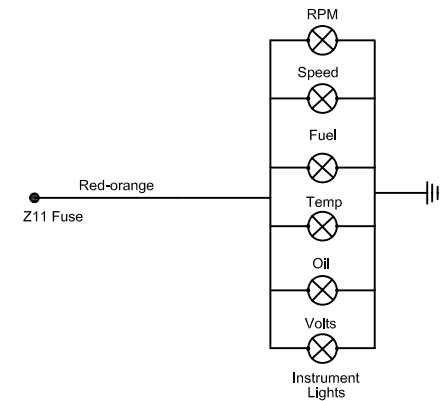
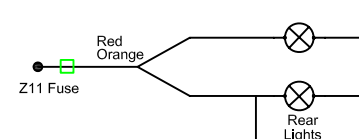
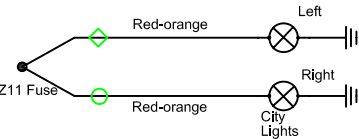
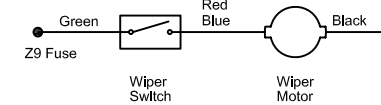
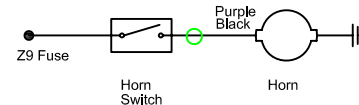
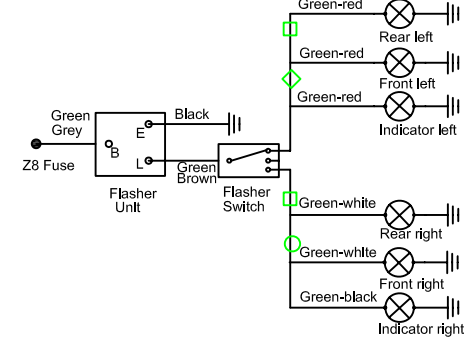
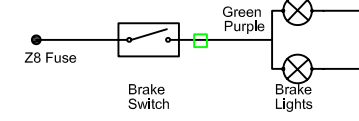
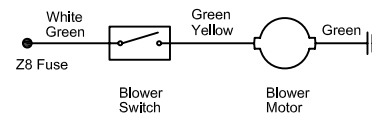
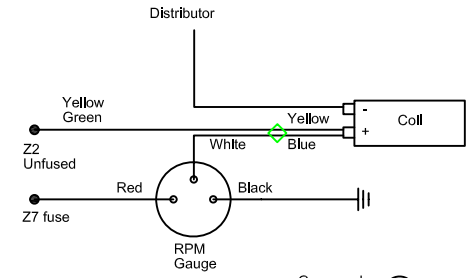
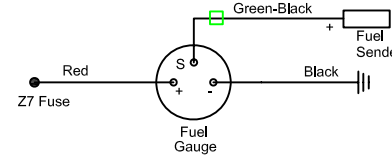
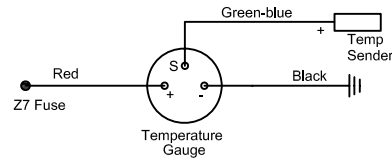
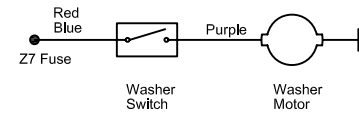
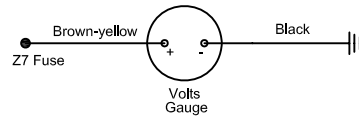
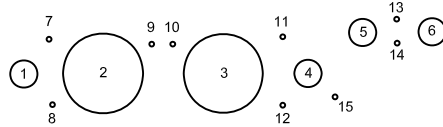


Dashboard layout

- 1 = Fuel gauge
- 2 = RPM gauge
- 3 = Speedometer
- 4 = Temp gauge
- 5 = Oil gauge
- 6 = Volts gauge
- 7 = Washer switch
- 8 = Fan switch
- 9 = Left warning light
- 10 = Right warning light
- 11 = Blower switch
- 12 = Wiper switch
- 13 = Beam warning light
- 14 = Charge warning light
- 15 = Light switch



- Z7 Fuel gauge
- Z7 Volts gauge
- Z7 RPM gauge
- Z7 Temp gauge
- Z7 Washer
- Z8 Flasher
- Z8 Blower
- Z8 Brake lights
- Z8 Charge warning light (red)
- Z9 Horn
- Z9 Wiper
- Z10 Fan
- Z11 Gauge illumination
- Z11 Rear lights
- Z11 City lights
- Z12 Headlights

- Wiring loom rear
- Wiring loom front rightside
- ◇ Wiring loom front leftside

Wiring Haldane Mk I